

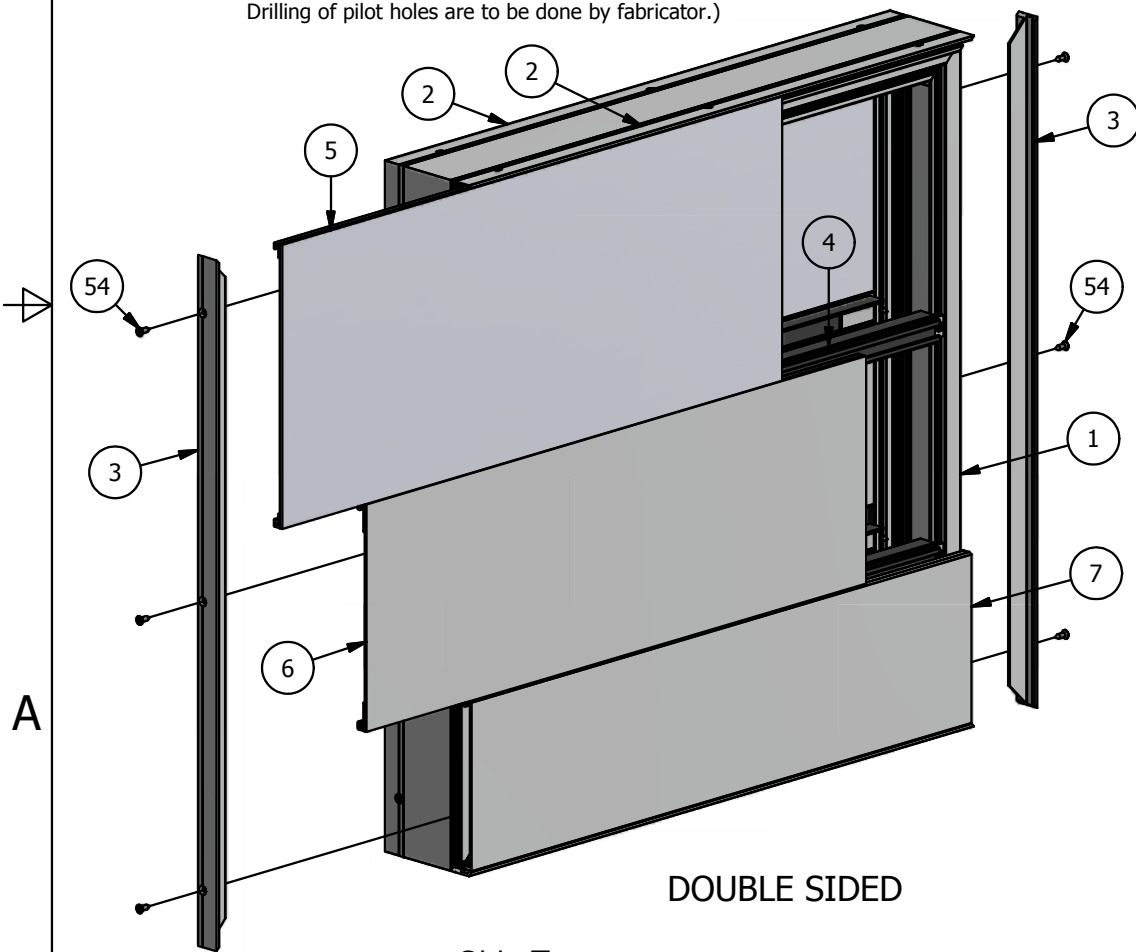
2

**PARTS LIST**

ITEM	PART#	DESCRIPTION	NOTES
1	K1390	Series 4 Access Body	Assembly
2	1292	Insert Top / Bottom Cover	Top & Bottom
3	1696	Insert End Cover	
4	1668	Insert Divider	
5	1689	Panel w/ Plastic Insert Adaptors	Panel by Other
6	1679	Panel w/ Aluminum Insert Adaptors	Panel by Other
7	1674/76/78	4", 6" or 8" Aluminum Insert Panels	
54	5168	Insert End Cover Screw	Drill #8 countersink

**NOTE: PRE-CUT KITS ARE NOT PRE-DRILLED.**

(Holes shown in this drawing are for reference only.  
Drilling of pilot holes are to be done by fabricator.)

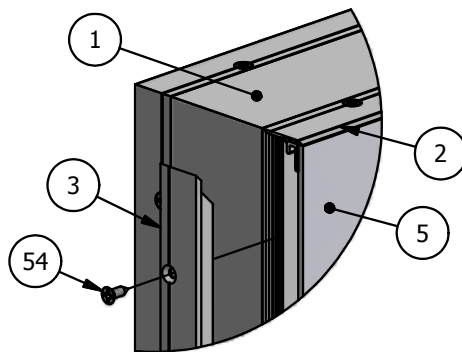


DOUBLE SIDED

Ship To:  
Sales Order #

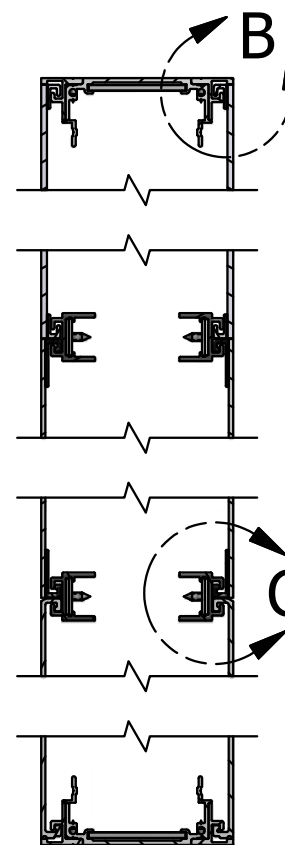
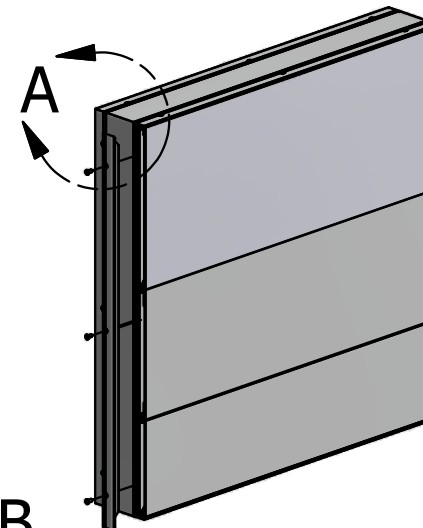
2

1

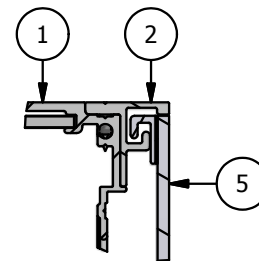


DETAIL A

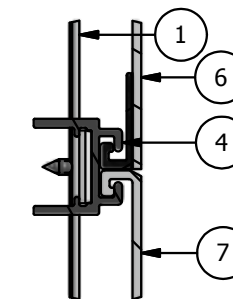
1



CABINET SECTION-VIEW  
THRU HORIZONTALS



DETAIL B



DETAIL C

THIS DRAWING WAS CREATED AT NO CHARGE TO ASSIST YOU IN VISUALIZING OUR PROPOSAL. THE DRAWING HEREIN IS THE PROPERTY OF SIGNCOMP. PERMISSION TO COPY OR REVISE THIS DRAWING OR TO USE THIS DRAWING FOR PRODUCTION IS STRICTLY PROHIBITED AND CAN ONLY BE COPIED, REVISED OR USED FOR PRODUCTION WITH THE EXPRESSED WRITTEN PERMISSION OF SIGNCOMP.

Project Name:	Series 4 Access Body w/ Insert & End Covers - Assembly
Sign Company:	K1390/92/96
Sheet:	1 of 1
Revision:	
Date:	4/11/2017
Size:	A
Drawing By:	SBreihof

**SignComp**

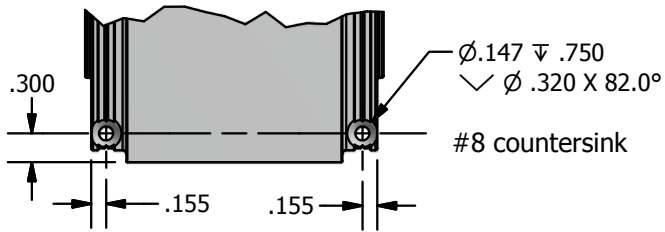
B

B

A

A

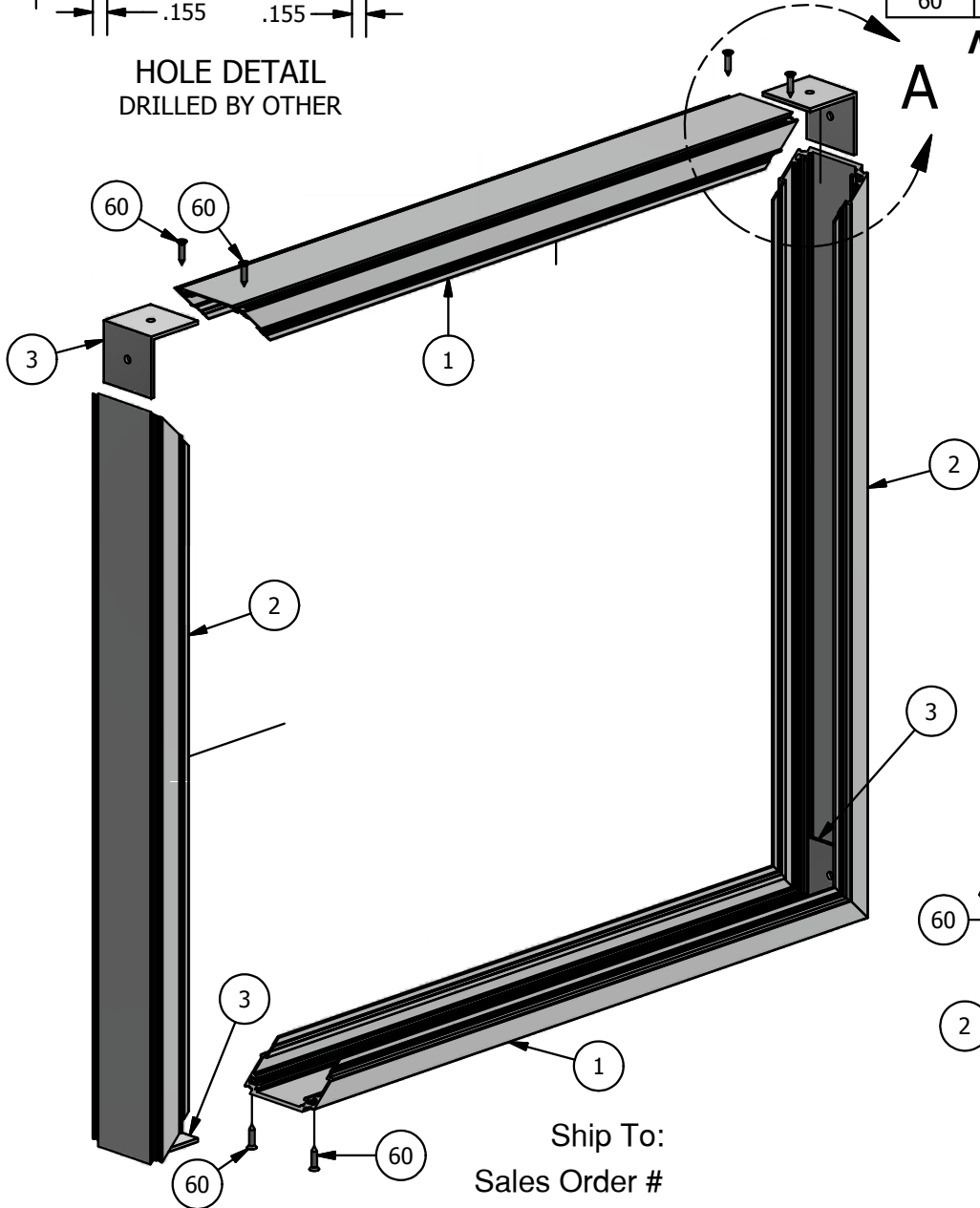
1



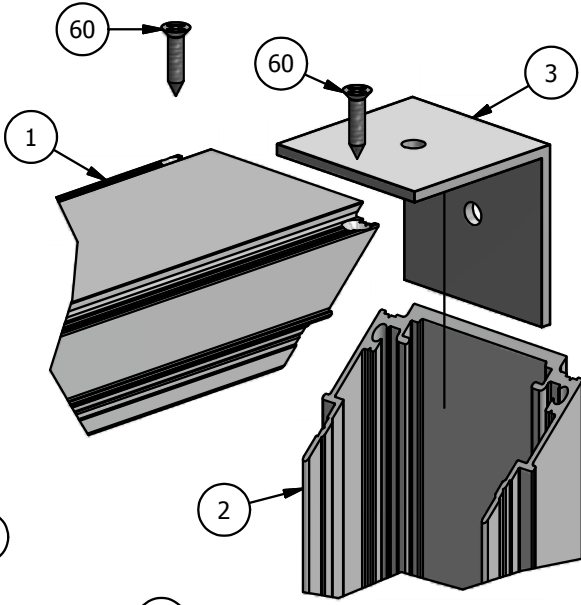
HOLE DETAIL  
 DRILLED BY OTHER

PARTS LIST			
ITEM	PART#	DESCRIPTION	NOTES
1	1390	Series 4 Access Body	Top & Bottom
2	1390	Series 4 Access Body	Sides
3	5340	Series 4 Access Body Corner Angle	One (1) per body corner
60	5241	Access Body Corner Screw	See hole detail

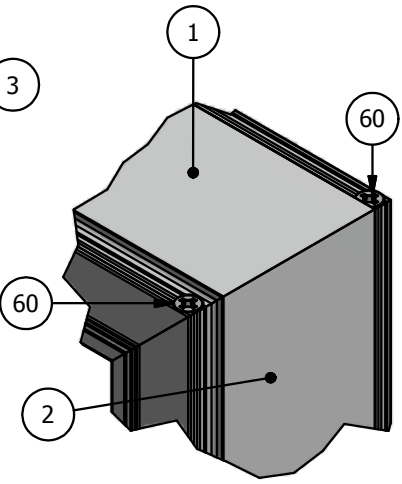
**NOTE: PRE-CUT KITS ARE NOT PRE-DRILLED.**  
 (Holes shown in this drawing are for reference only.  
 Drilling of pilot holes are to be done by fabricator.)



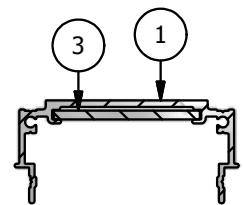
Ship To:  
 Sales Order #



DETAIL A-1



DETAIL A-2



CABINET SECTION-VIEW

THIS DRAWING WAS CREATED AT NO CHARGE TO ASSIST YOU IN VISUALIZING OUR PROPOSAL. THE DRAWING HEREIN IS THE PROPERTY OF SIGNCOMP. PERMISSION TO COPY OR REVISE THIS DRAWING OR TO USE THIS DRAWING FOR PRODUCTION IS STRICTLY PROHIBITED AND CAN ONLY BE COPIED, REVISED OR USED FOR PRODUCTION WITH THE EXPRESSED WRITTEN PERMISSION OF SIGNCOMP.

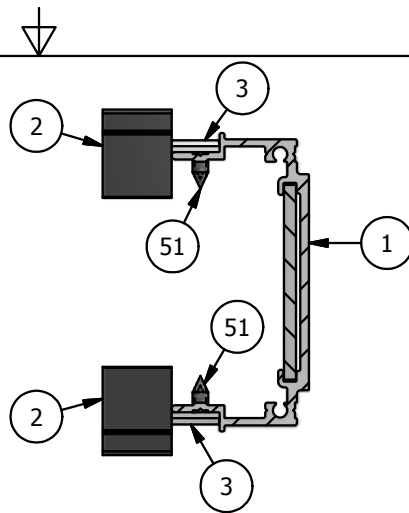
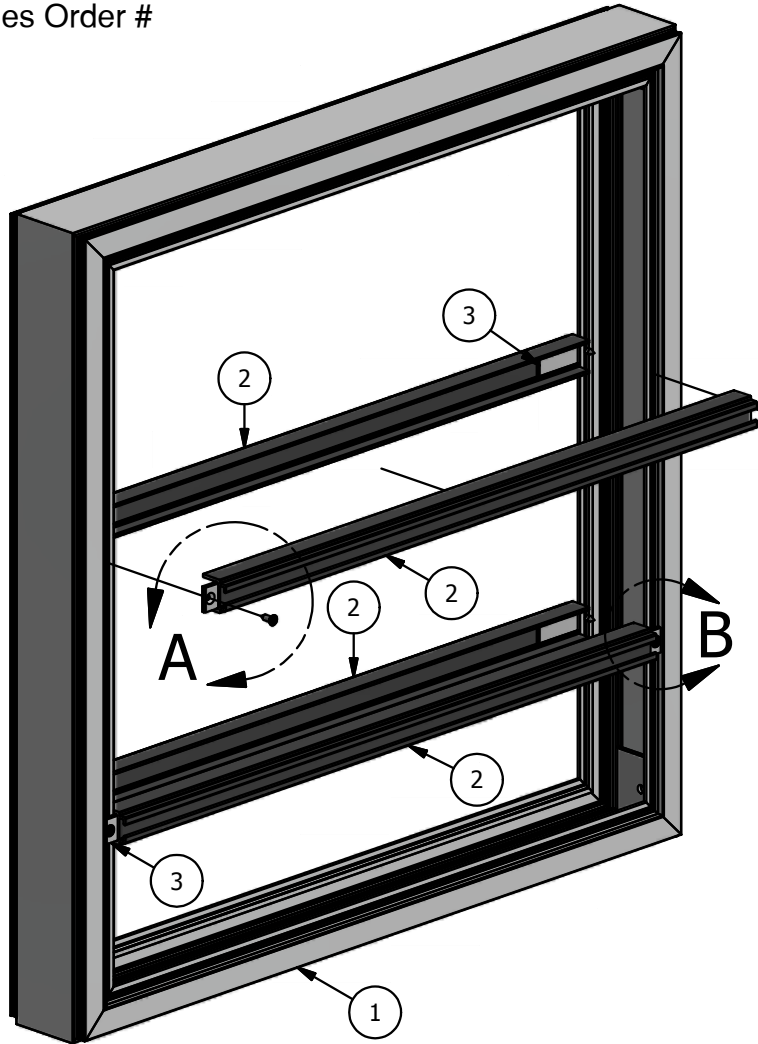
Project Name: **Series 4 Access Body**  
 Sign Company: **K1390**  
 Sheet: **1 of 1**  
 Drawing By: **SBreihof**  
 Date: **3/22/2017**  
 Revision:



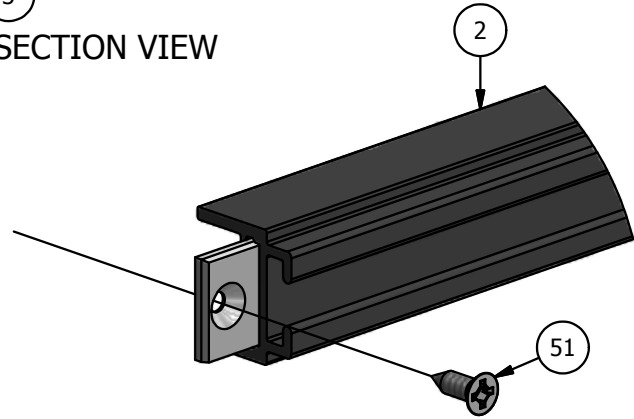
PARTS LIST			
ITEM	PART #	DESCRIPTION	NOTES
1	K1390	Series 4 Access Body	Assembly
2	1668	Insert Divider	
3	5306	Insert Divider Tab	Two (2) per divider
51	5168	Insert Divider Screw	Drill #8 - 1/8" hole

**NOTE: PRE-CUT KITS ARE NOT PRE-DRILLED.**  
 (Holes shown in this drawing are for reference only.  
 Drilling of pilot holes are to be done by fabricator.)

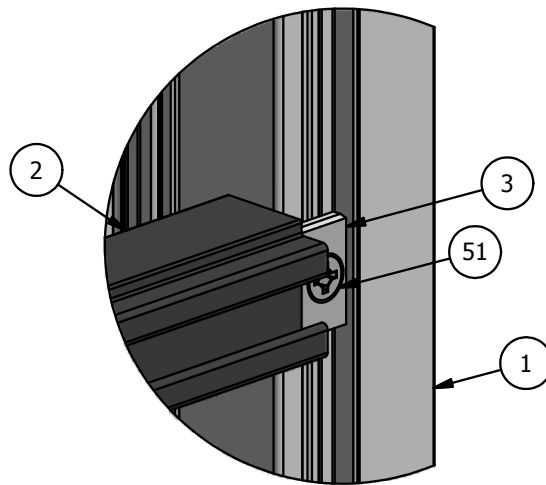
Ship To:  
 Sales Order #



VERTICAL CROSS-SECTION VIEW



DETAIL A



DETAIL B

THIS DRAWING WAS CREATED AT NO CHARGE TO ASSIST YOU IN VISUALIZING OUR PROPOSAL. THE DRAWING HEREIN IS THE PROPERTY OF SIGNCOMP. PERMISSION TO COPY OR REVISE THIS DRAWING OR TO USE THIS DRAWING FOR PRODUCTION IS STRICTLY PROHIBITED AND CAN ONLY BE COPIED, REVISED OR USED FOR PRODUCTION WITH THE EXPRESSED WRITTEN PERMISSION OF SIGNCOMP.

Project Name: Series 4 - Access Body w/ Insert Divider - Assembly

Sign Company: K1390/68

Part #:

Revision:

Date: 4/10/2017

Drawing By: SBreihof

Sheet: 1 of 1

Size:

**SignComp**

B

A

B

A

2

1

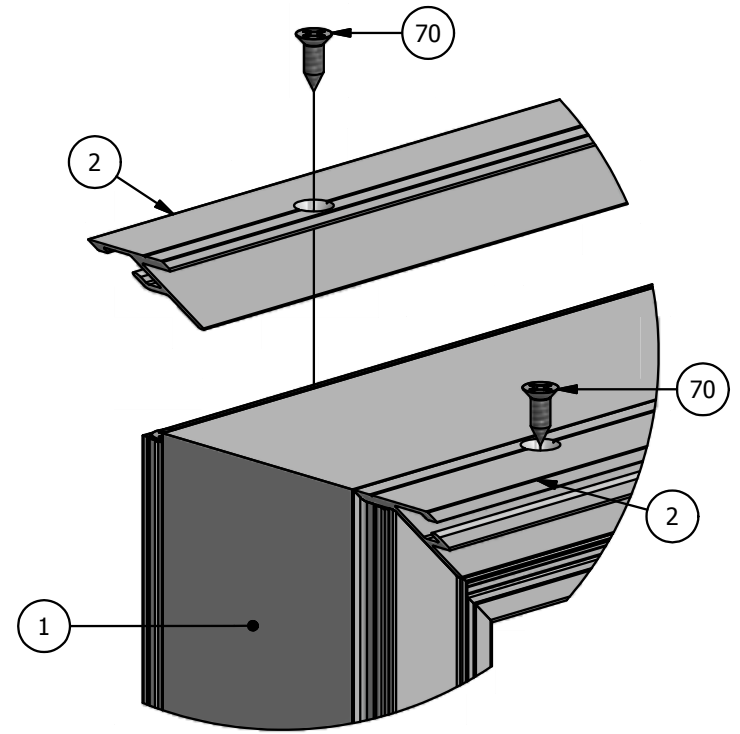
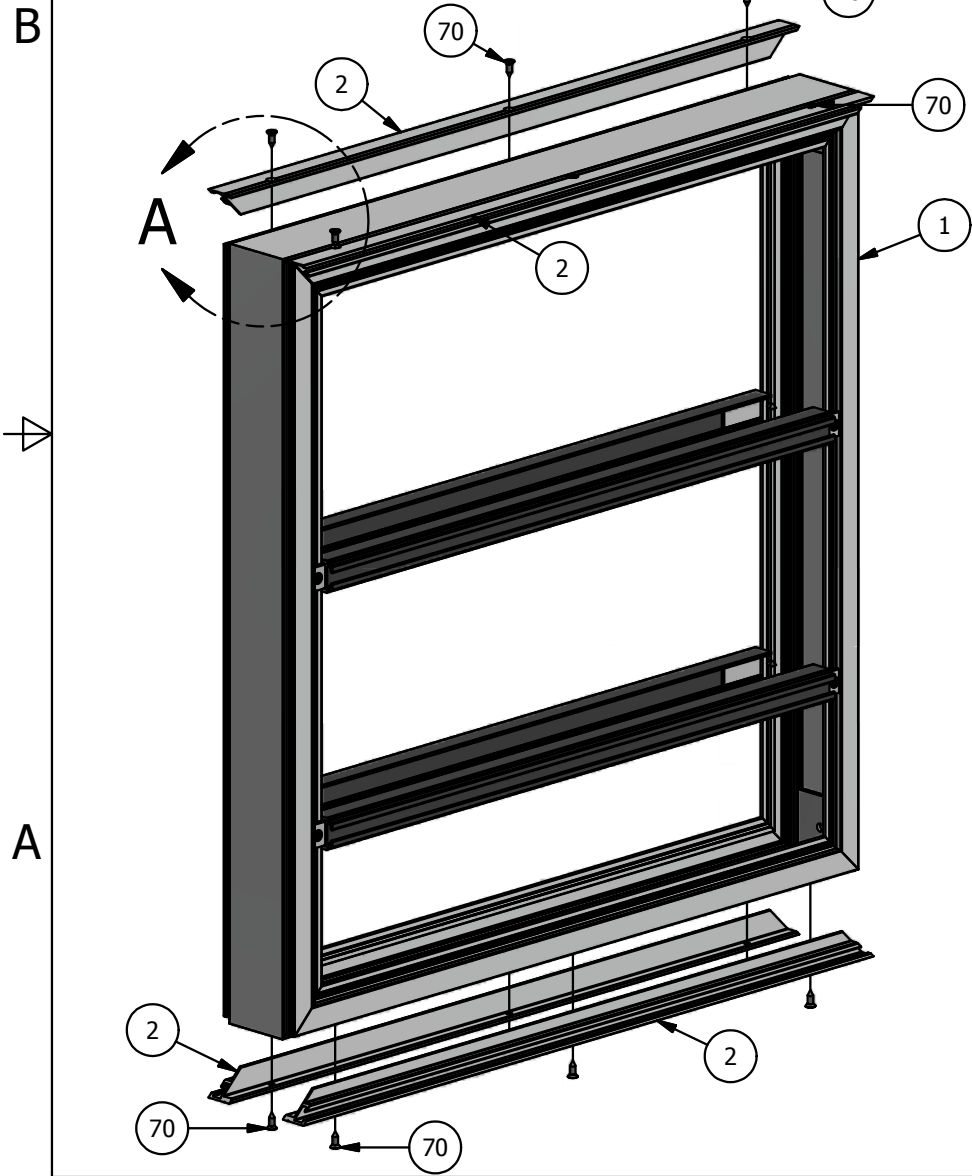
2

1

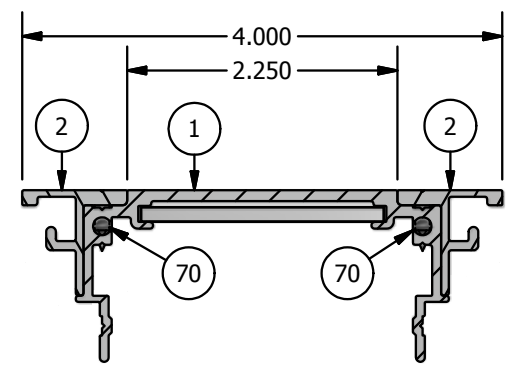
PARTS LIST			
ITEM	PART #	DESCRIPTION	NOTES
1	K1390	Series 4 Access Body	Assembly
2	1292	Insert Cover	Top & Bottom
70	5168	Insert Top & Bottom Cover Screw	Drill #8 countersink

**NOTE: PRE-CUT KITS ARE NOT PRE-DRILLED.**  
 (Holes shown in this drawing are for reference only.  
 Drilling of pilot holes are to be done by fabricator.)

Ship To:  
 Sales Order #



DETAIL A



TOP CROSS-SECTION VIEW

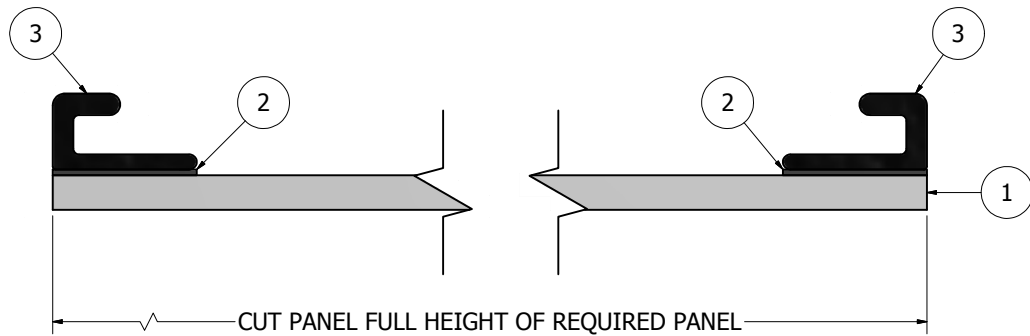
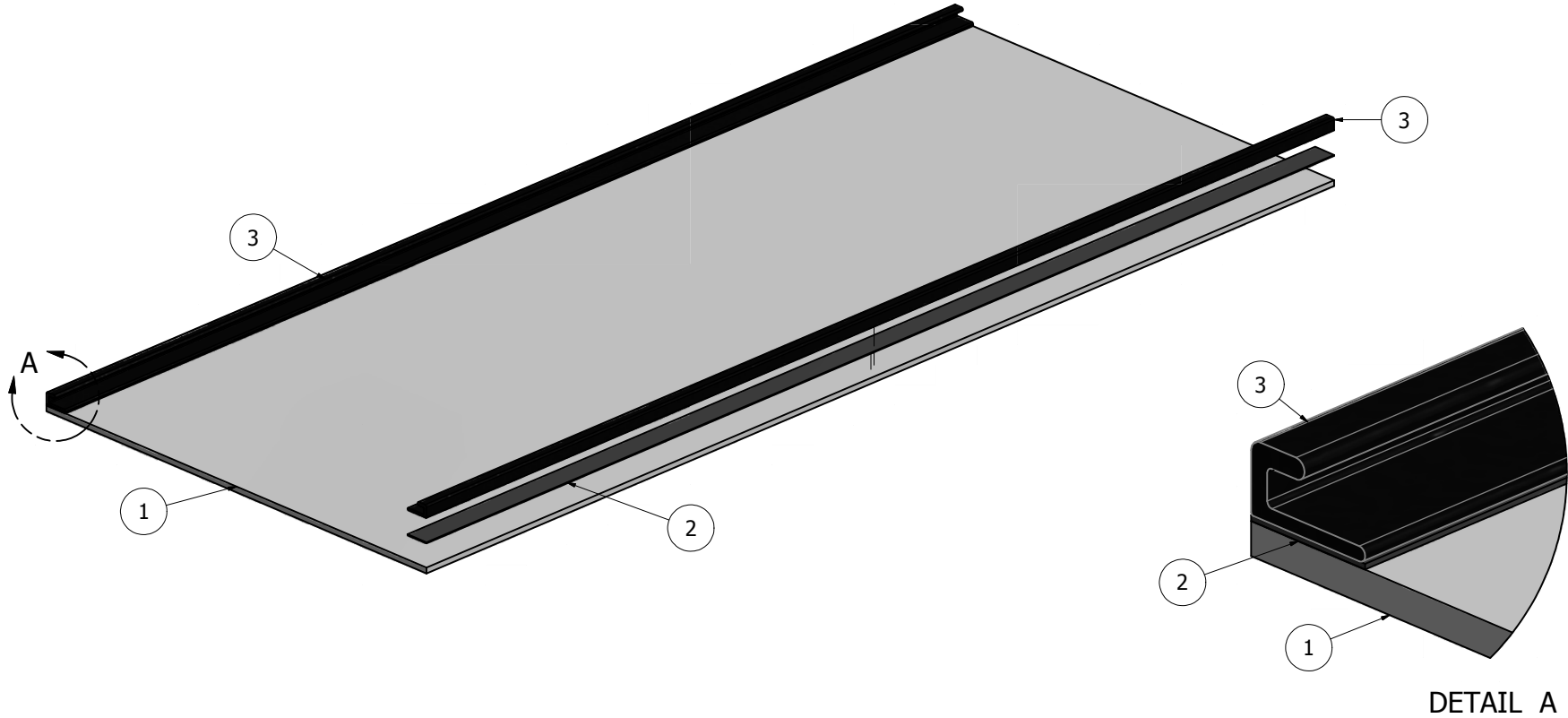
THIS DRAWING WAS CREATED AT NO CHARGE TO ASSIST YOU IN VISUALIZING OUR PROPOSAL. THE DRAWING HEREIN IS THE PROPERTY OF SIGNCOMP. PERMISSION TO COPY OR REVISE THIS DRAWING OR TO USE THIS DRAWING FOR PRODUCTION IS STRICTLY PROHIBITED AND CAN ONLY BE COPIED, REVISED OR USED FOR PRODUCTION WITH THE EXPRESSED WRITTEN PERMISSION OF SIGNCOMP.

Project Name: Series 4 - Access Body w/ Insert Cover - Assembly	Sheet: 1 of 1	Size: A
Revision: 4/10/2017	Drawing By: SBreihof	
Part #: K1390/1292		

**SignComp**

PARTS LIST			
ITEM	PART #	DESCRIPTION	NOTES
1	Plastic Stock	.120 Acrylic Sheet	By Fabricator
2	Adhesive	Adhesive Tape (for Plastic) or Liquid Bonding Agent	By Fabricator
3	1689	Plastic Insert Adaptor	Attaches along the Top & Bottom on back side of panel

Ship To:  
Sales Order#

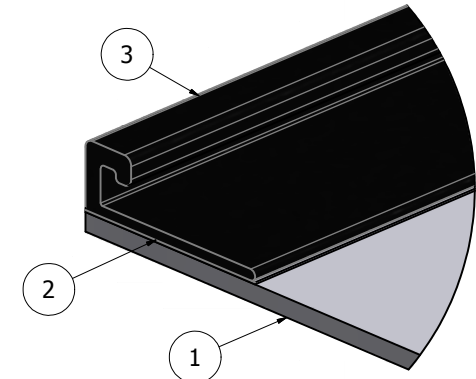
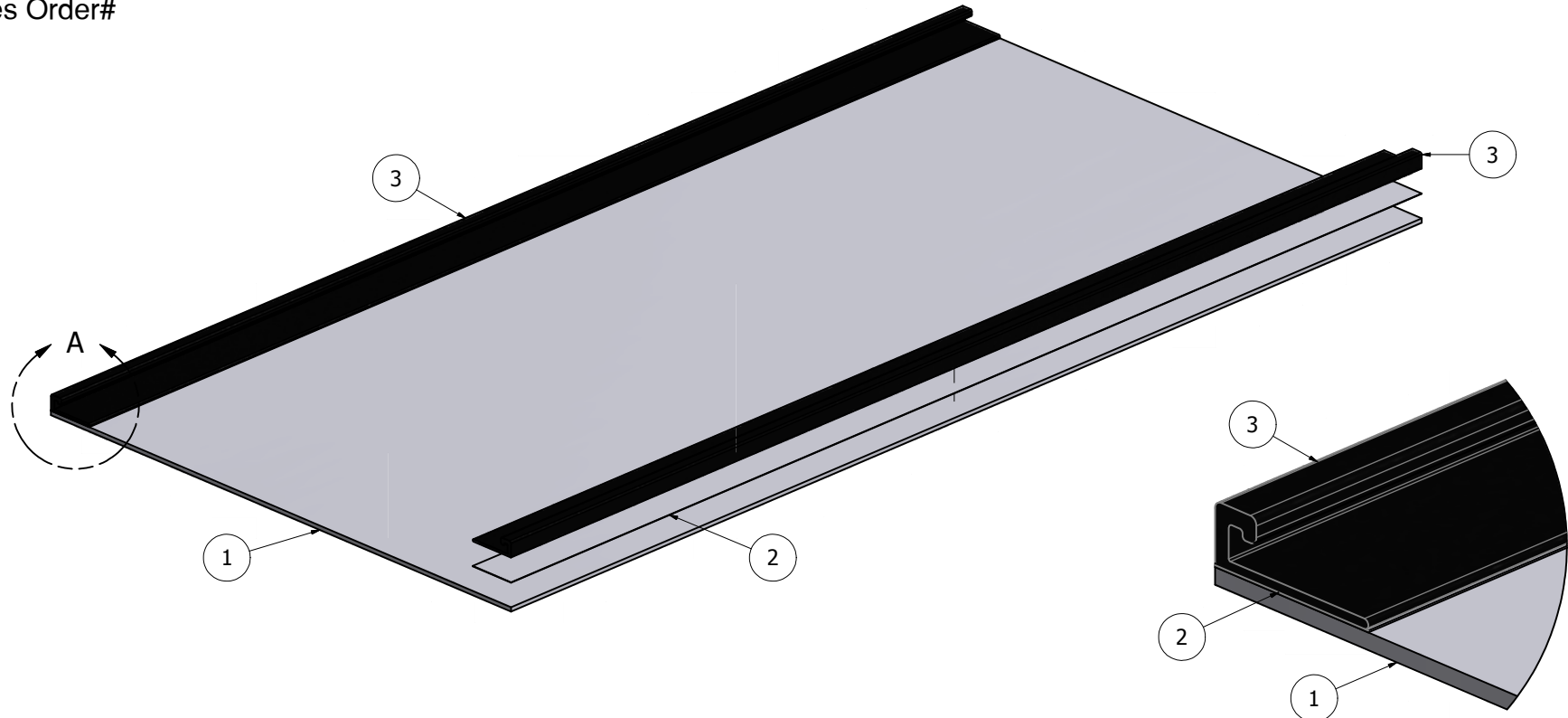


**NOTE: PRE-CUT KITS ARE NOT PRE-DRILLED.**  
(Holes shown in this drawing are for reference only.  
Drilling of pilot holes are to be done by fabricator.)

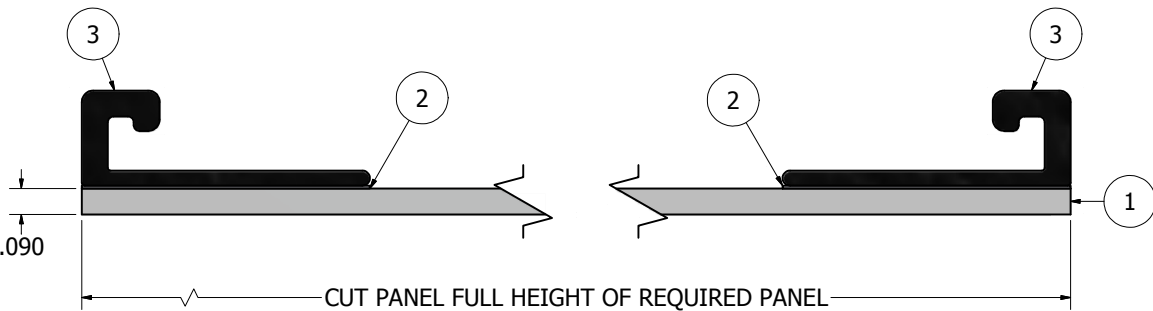
THIS DRAWING WAS CREATED AT NO CHARGE TO ASSIST YOU IN VISUALIZING OUR PROPOSAL. THE DRAWING HEREIN IS THE PROPERTY OF SIGNCOMP. PERMISSION TO COPY OR REVISE THIS DRAWING OR TO USE THIS DRAWING FOR PRODUCTION IS STRICTLY PROHIBITED AND CAN ONLY BE COPIED, REVISED OR USED FOR PRODUCTION WITH THE EXPRESSED WRITTEN PERMISSION OF SIGNCOMP.			
DRAWING BY:	SBreihof	6/7/2013	<b>SignComp</b>
Centroid X:	0.000 in	0.000 in	
Centroid Y:	0.000 in	0.000 in	TITLE Plastic Insert Adaptor
Principal Moments Ix:	0.000 in <sup>4</sup>	0.000 in <sup>4</sup>	
Principal Moments Iy:	0.000 in <sup>4</sup>	0.000 in <sup>4</sup>	PART NO <b>1689</b>
Section Modulus Ix:	0.000 in <sup>3</sup>	0.000 in <sup>3</sup>	
Section Modulus Iy:	0.000 in <sup>3</sup>	0.000 in <sup>3</sup>	REV
SHEET 1 OF 1			

PARTS LIST			
ITEM	PART #	DESCRIPTION	NOTES
1	Aluminum Stock	.090 Flat Aluminum Sheet	By Fabricator
2	Tape/Adhesive	Bonding Tape or Bonding Adhesive (for Aluminum)	By Fabricator
3	1679	Aluminum Insert Adaptor	Attaches along the Top & Bottom on back side of panel


Ship To:  
Sales Order#



DETAIL A



**NOTE: PRE-CUT KITS ARE NOT PRE-DRILLED.**  
(Holes shown in this drawing are for reference only.  
Drilling of pilot holes are to be done by fabricator.)

THIS DRAWING WAS CREATED AT NO CHARGE TO ASSIST YOU IN VISUALIZING OUR PROPOSAL. THE DRAWING HEREIN IS THE PROPERTY OF SIGNCOMP. PERMISSION TO COPY OR REVISE THIS DRAWING OR TO USE THIS DRAWING FOR PRODUCTION IS STRICTLY PROHIBITED AND CAN ONLY BE COPIED, REVISED OR USED FOR PRODUCTION WITH THE EXPRESSED WRITTEN PERMISSION OF SIGNCOMP.			
DRAWING BY:	SBreihof	6/7/2013	
Centroid X:	0.000 in		
Centroid Y:	0.000 in		
Principal Moments Ix:	0.000 in <sup>4</sup>		Aluminum Insert Adaptor TITLE
Principal Moments Iy:	0.000 in <sup>4</sup>		
Section Modulus Ix:	0.000 in <sup>3</sup>		PART NO <b>1679</b>
Section Modulus Iy:	0.000 in <sup>3</sup>		
			SHEET 1 OF 1